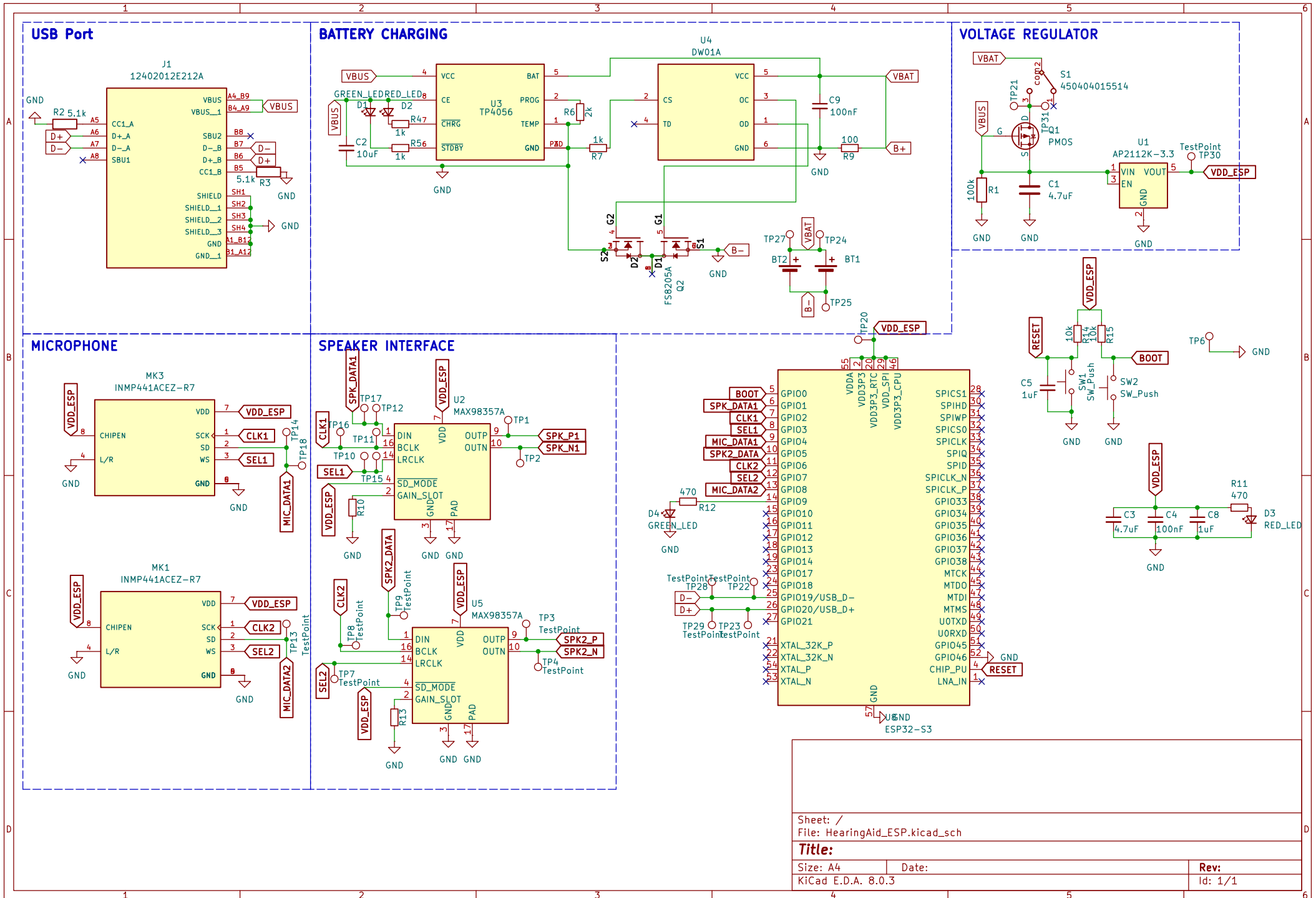


ESP32-S3 HEARING AID V.1



Sheet: /	
File: HearingAid_ESP.kicad_sch	
Title:	
Size: A4	Date:
KiCad E.D.A. 8.0.3	Rev: 1/1