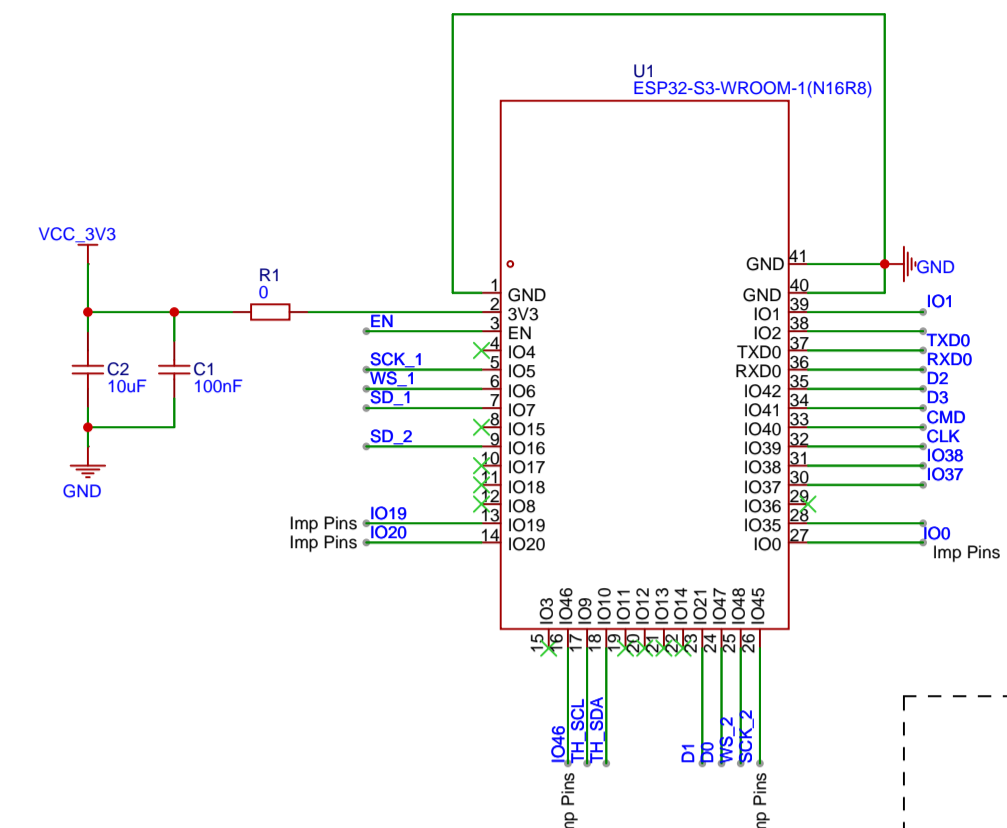


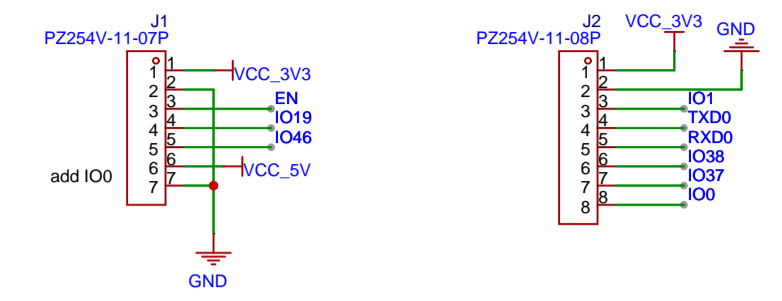
### USB to UART:

### ESP32-S3-WROOM-1(N16R8)

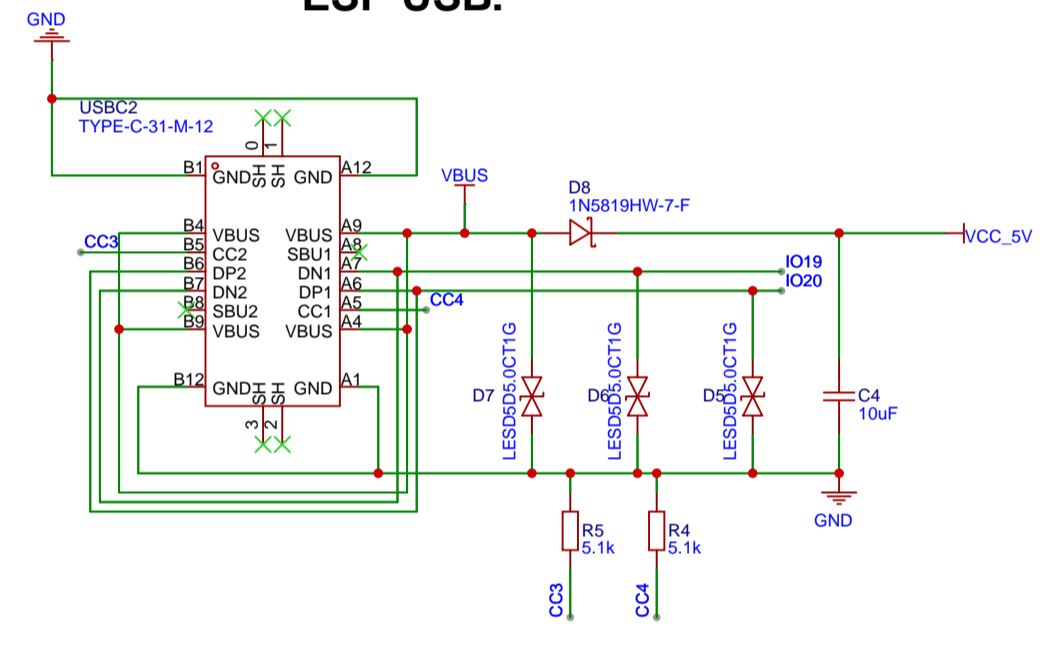
### CONNECTORS:



TH\_SCL = 9  
 TH\_SDA = 10  
 DONE// Define common I2S pins for both sets of microphones  
 I2S\_SCK2 = 45;  
 I2S\_WS2 = 48;  
 I2S\_SCK1 = 5;  
 I2S\_WS1 = 6;  
 I2S\_SD2 = 16;  
 I2S\_SD1 = 7;  
 SD\_CMD = 40;  
 SD\_ELK = 39;  
 SD\_DATA0 = 47; D3 = 41 ; D1 = 21; D2 = 42;

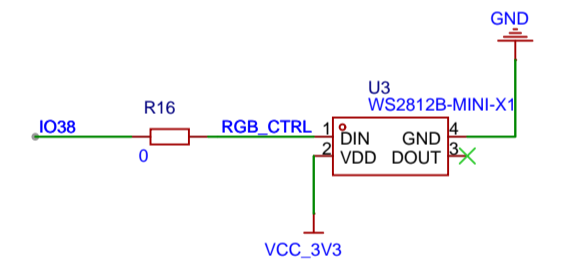


### ESP USB:

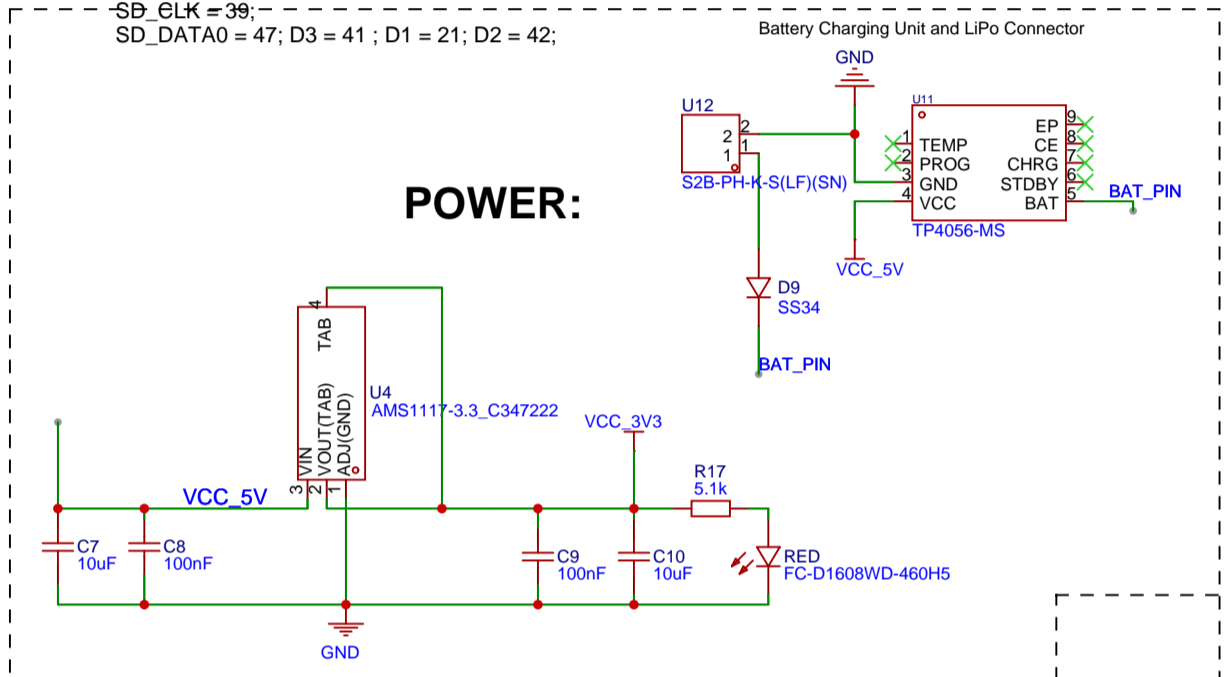


DTR and RTS not connected after deleting UART chip

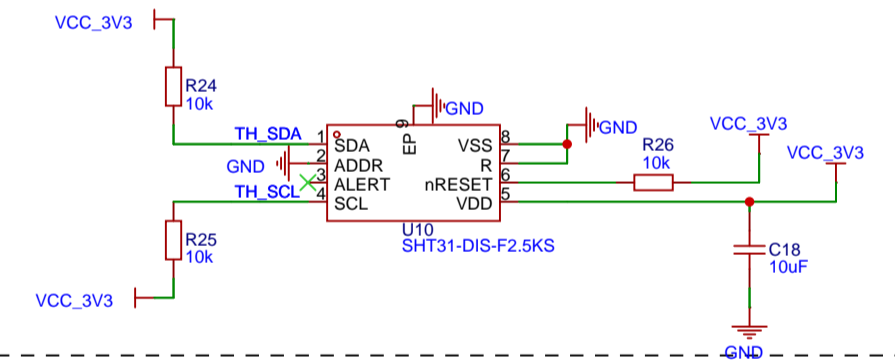
### LED:



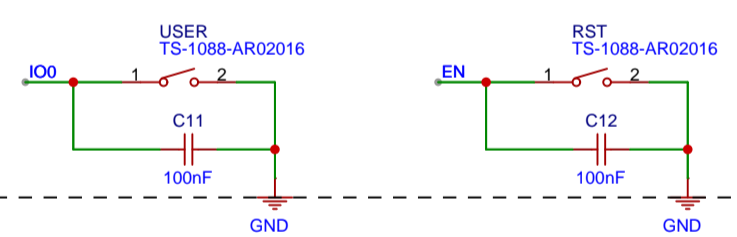
### POWER:



### TEMP AND HUMIDITY SENSOR



### BUTTON:



### USB to UART: CP2102N

### MICROSD CARD

