
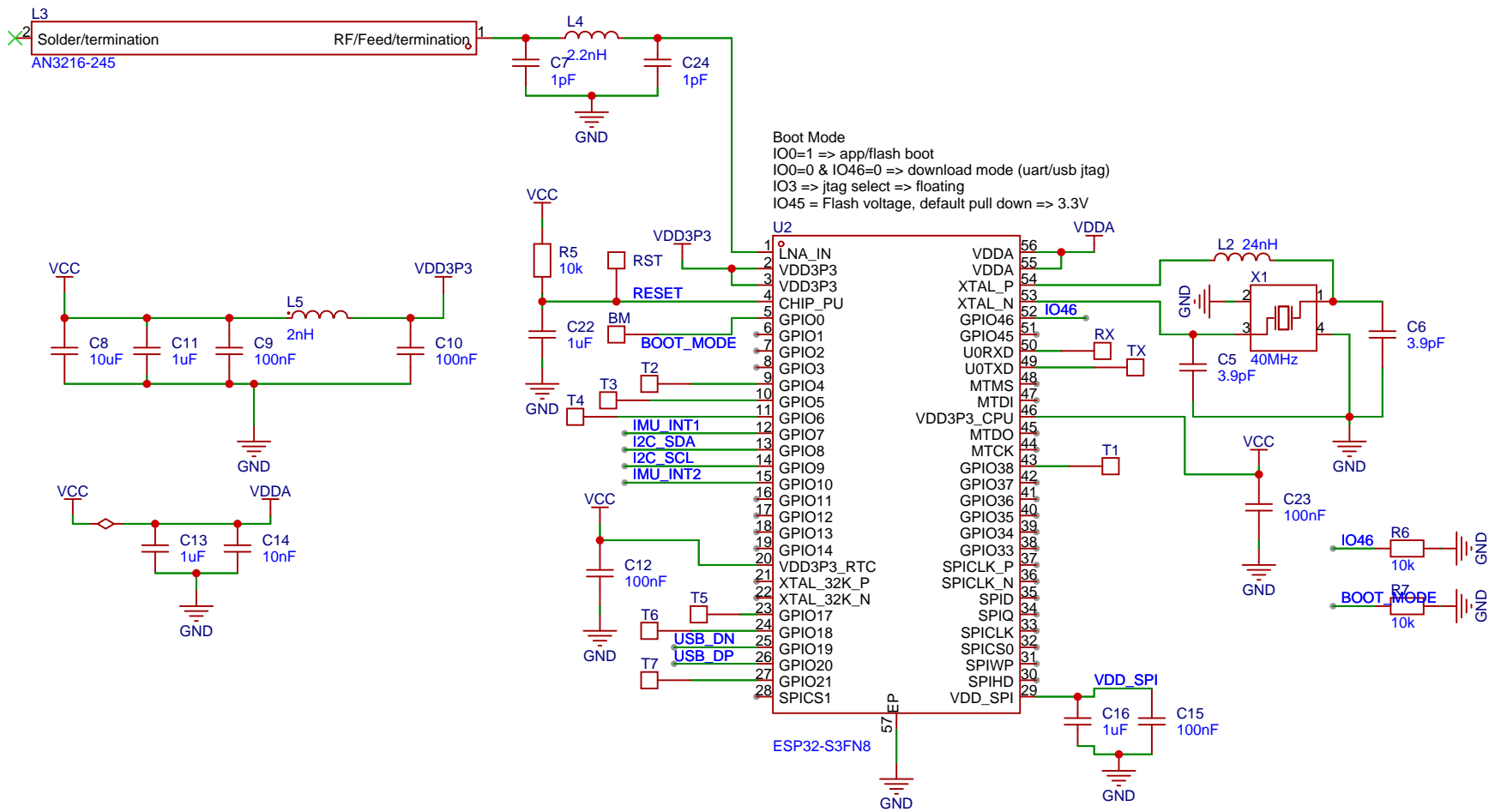
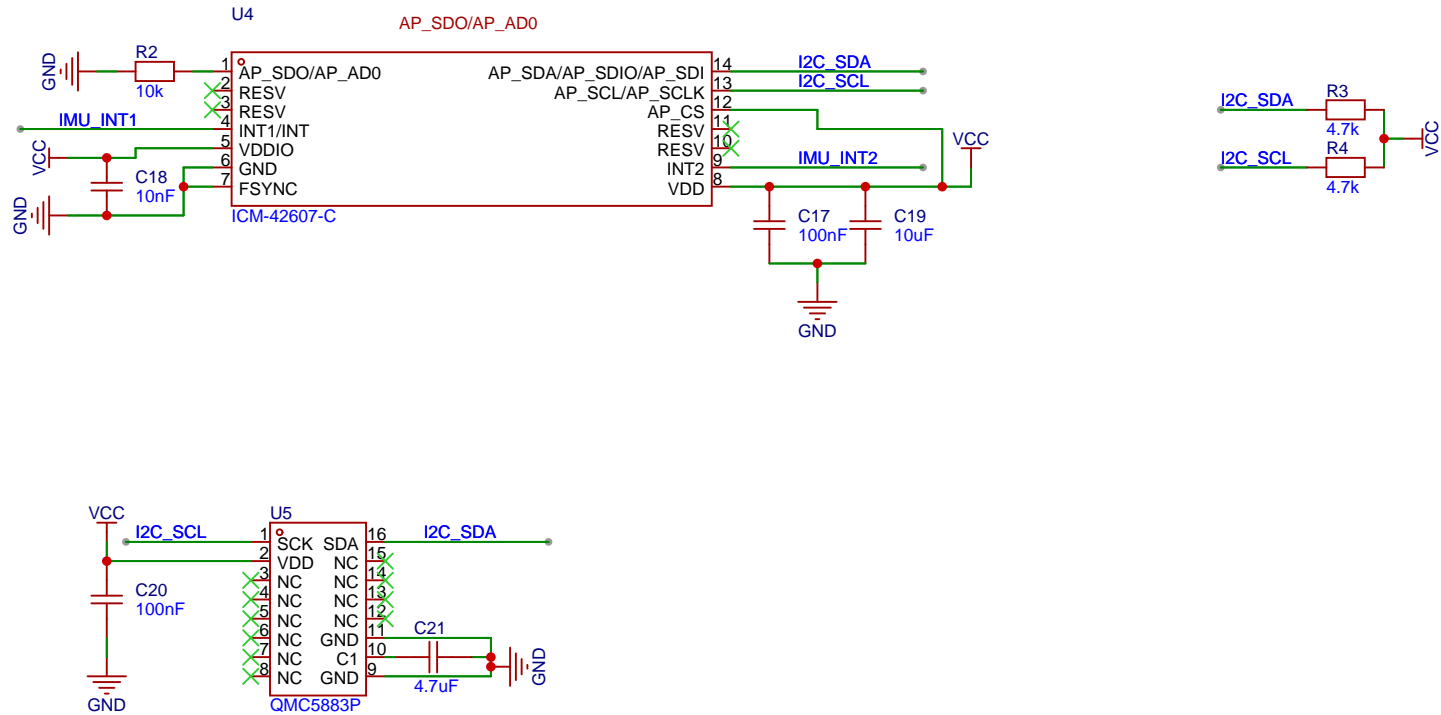


Schematic	ELRS_HEADTRACKER		Create at	2026-03-02
Board	Board1		Update at	2026-03-26
Drawn			Page	USB_POWER
Reviewed			DJI Head tracker	
	Version	Size	Page 1 Total 3	
		V1.0	A4	EasyEDA.com



Schematic	ELRS_HEADTRACKER		Create at	2026-03-02
Board	Board1		Update at	2026-04-02
Drawn			Page	WIFI
Reviewed			DJI Head tracker	
	Version	Size	Page 2 Total 3	
		V1.0	A4	EasyEDA.com



Schematic	ELRS_HEADTRACKER		Create at	2026-03-02
Board	Board1		Update at	2026-03-02
Drawn	DJI Head tracker			
Reviewed				
		Version	Size	Page 3 Total 3
		V1.0	A4	EasyEDA.com